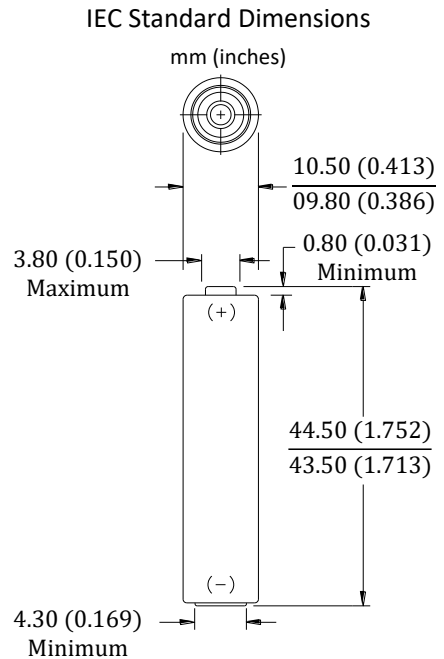




Rayovac Stock Number: 824, 824 OEM, AAA Bulk

Name: 824 AAA High Energy Alkaline Battery

	Specifications
Chemistry:	Alkaline (Zinc-Manganese Dioxide)
Designation:	ANSI - 24A, IEC - LR03
Nominal Voltage:	1.5V
Approximate Weight:	0.4 Oz (11 grams)
Approximate Volume:	0.2 CU IN (3.5 cc)
Operating Temp:	-30°C to 55°C (-20°F to 130°F)
Shelf Life:	12 years at 21°C
Terminals:	Flat Contact
Case Material:	Plastic Film
Environmental:	No mercury added formulation. Meets Environmental Protection Agency (EPA) Requirements for landfill disposal. Rayovac Material Safety Sheets



Typical Service - ANSI Application Tests

Application and Duty Cycle	Discharge Load	Service
Home Medical 5 min/hr, 12 hr/day	250 mA	2.28 hours
Lighting 4 min/hr, 8 hr/day	5.1 Ω	4.22 hours
Toy 1 hr/day	5.1 Ω	4.49 hours
Digital Audio 1 hr on, 11 hr off - 24 hr	75 mA	14.1 hours
Remote 15 s on 45 s off, 8 hr/day	24 Ω	20.6 hours

Discharge Curves (Continuous Load)

