



533 Maryville University Drive, St. Louis, MO 63141
www.rayovac.com



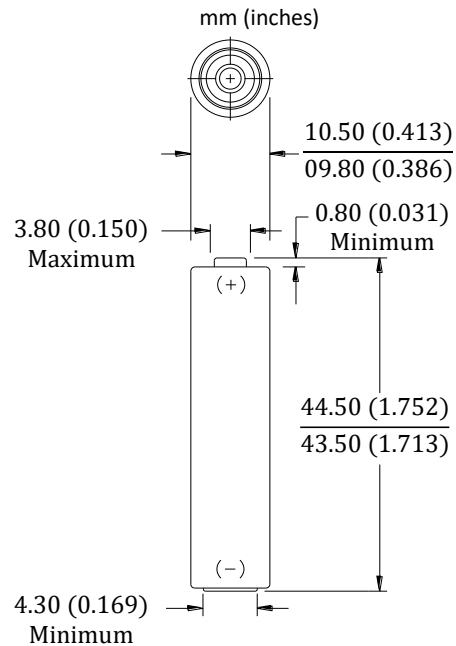
Rayovac Stock Number: 824, 824 OEM, AAA Bulk

Name: 824 AAA High Energy Alkaline Battery

Specifications

- Chemistry:** Alkaline (Zinc-Manganese Dioxide)
- Designation:** ANSI - 24A, IEC - LR03
- Nominal Voltage:** 1.5V
- Approximate Weight:** 0.4 Oz (11 grams)
- Approximate Volume:** 0.2 CU IN (3.5 cc)
- Operating Temp:** -30°C to 55°C (-20°F to 130°F)
- Shelf Life:** 12 years at 21°C
- Terminals:** Flat Contact
- Case Material:** Plastic Film
- Environmental:** No mercury added formulation. Meets Environmental Protection Agency (EPA) Requirements for landfill disposal.
[Rayovac Material Safety Sheets](#)

IEC Standard Dimensions



Typical Service - ANSI Application Tests

Application and Duty Cycle	Discharge Load	Service
Home Medical 5 min/hr, 12 hr/day	250 mA	2.63 hours
Lighting 4 min/hr, 8 hr/day	5.1 Ω	4.26 hours
Toy 1 hr/day	5.1 Ω	4.68 hours
Digital Audio 1 hr on, 11 hr off - 24 hr	75 mA	15.0 hours
Remote 15 s on 45 s off, 8 hr/day	24 Ω	21.9 hours