



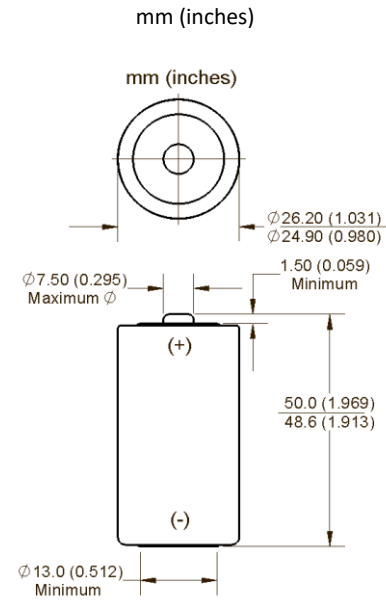
Rayovac Stock Number: 814, C

Name: LR14 C Alkaline Battery

	Specifications
Chemistry:	Alkaline (Zinc-Manganese Dioxide)
Designation:	ANSI - 14A, IEC – LR14
Nominal Voltage:	1.5V
Approximate Weight:	2.28 Oz (64.5 grams)
Approximate Volume:	1.44 CU IN (23.6 cc)
Operating Temp:	-30°C to 55°C (-20°F to 130°F)
Shelf Life:	10 years at 21°C
Terminals:	Flat Contact
Case Material:	Plastic Film
Environmental:	No mercury added formulation. Meets Environmental Protection Agency (EPA) Requirements for landfill disposal.

[Rayovac Material Safety Sheets](#)

IEC Standard Dimensions



Typical Service - ANSI Application Tests

Application and Duty Cycle	Discharge Load	Service
Portable Stereo 2 hr/day	400 mA	13.5
Portable Lighting 4 min on 11 min off, 8 hr/day	3.9 Ω	21.5
Toy 1 hr/day	3.9 Ω	22.6