

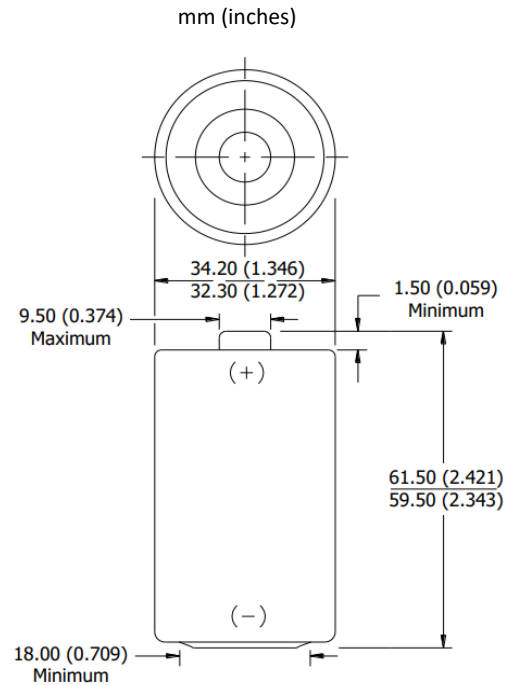


Rayovac Stock Number: 813, D

Name: LR20 D Alkaline Battery

	Specifications
Chemistry:	Alkaline (Zinc-Manganese Dioxide)
Designation:	ANSI – 13A/AC, IEC – LR20
Nominal Voltage:	1.5V
Approximate Weight:	4.7 Oz (133.6 grams)
Approximate Volume:	3.0 CU IN (48.9 cc)
Operating Temp:	-30°C to 55°C (-20°F to 130°F)
Shelf Life:	10 years at 21°C
Terminals:	Flat Contact
Case Material:	Plastic Film
Environmental:	No mercury added formulation. Meets Environmental Protection Agency (EPA) Requirements for landfill disposal. Rayovac Material Safety Sheets

IEC Standard Dimensions



Typical Service - ANSI Application Tests

Application and Duty Cycle	Discharge Load	Service (Hours)
Portable Stereo 2 hr/day	600 mA	15.50
Portable Lighting 4 min on 11 min off, 8 hr/day	1.5 Ω	15.27
Toy 1 hr/day	2.2 Ω	24.34
Radio 4 hr/day	10 Ω	123.76