



533 Maryville University Drive, St. Louis, MO 63141
www.rayovac.com

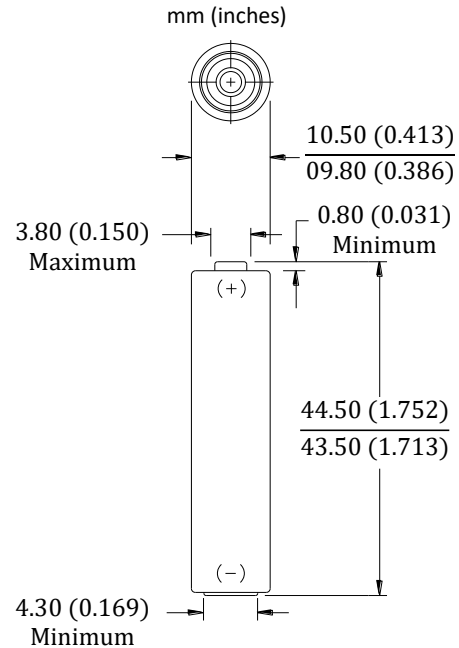


Rayovac Stock Number: 824FUS, 824 OEMFUS

Name: 824 AAA Fusion Alkaline Battery

Specifications	
Chemistry:	Alkaline (Zinc-Manganese Dioxide)
Designation:	ANSI - 24A, IEC - LR03,
Nominal Voltage:	1.5V
Approximate Weight:	0.4 Oz (11 grams)
Approximate Volume:	.2 CU IN (3.5 cc)
Operating Temp:	-30°C to 55°C (-20°F to 130°F)
Shelf Life:	12 years at 21°C
Terminals:	Flat Contact
Case Material:	Plastic Film
Environmental:	No mercury added formulation. Meets Environmental Protection Agency (EPA) Requirements for landfill disposal.
	Rayovac Material Safety Sheets

IEC Standard Dimensions



Typical Service - ANSI Application Tests

Application and Duty Cycle	Discharge Load	Service
Home Medical 5 min/hr, 12 hr/day	250 mA	2.58 hours
Lighting 4 min/hr, 8 hr/day	5.1 Ω	4.59 hours
Toy 1 hr/day	5.1 Ω	4.75 hours
Digital Audio 1 hr on, 11 hr off - 24 hr	75 mA	14.9 hours
Remote 15 s on 45 s off, 8 hr/day	24 Ω	21.4 hours

Discharge Curves (Continuous Load)

