



533 Maryville University Drive, St. Louis, MO 63141
www.rayovac.com



Rayovac Stock Number: 813FUS, 813 OEMFUS

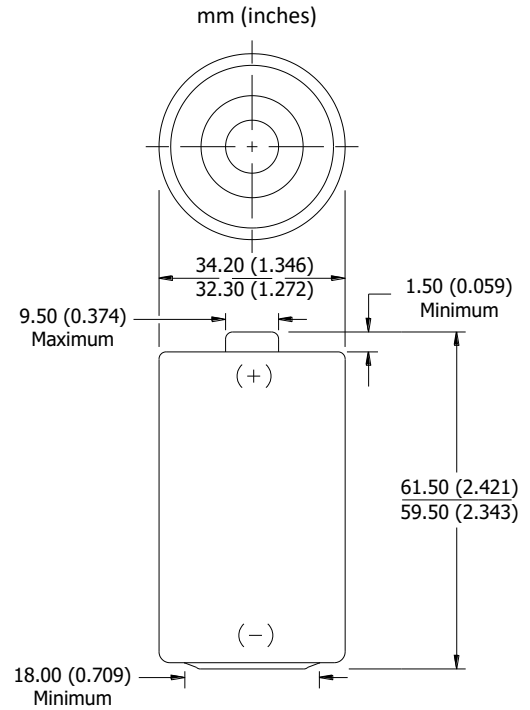
Name: 13A/AC D Fusion Alkaline Battery

Specifications

- Chemistry:** Alkaline (Zinc-Manganese Dioxide)
- Designation:** ANSI – 13A/AC, IEC – LR20
- Nominal Voltage:** 1.5V
- Approximate Weight:** 4.7 Oz (133.6 grams)
- Approximate Volume:** 3.0 CU IN (48.9 cc)
- Operating Temp:** -30°C to 55°C (-20°F to 130°F)
- Shelf Life:** 12 years at 21°C
- Terminals:** Flat Contact
- Case Material:** Plastic Film
- Environmental:** No mercury added formulation. Meets Environmental Protection Agency (EPA) Requirements for landfill disposal.

[Rayovac Material Safety Sheets](#)

IEC Standard Dimensions



Typical Service - ANSI Application Tests

Application and Duty Cycle	Discharge Load	Service
Stereo 2 hr/day	600 mA	17.1 hours
Portable Lighting 14 min/15 min, 8 hr/day	1.5 Ω	14.7 hours
Toy 1 hr/day	2.2 Ω	25.3 hours
Radio 4 hr/day	10 Ω	121 hours
Lighting 24 min/hr, 8 hr/day	2.2 Ω	23.3 hours

Discharge Curves (Continuous Load)

