



533 Maryville University Drive, St. Louis, MO 63141
www.rayovac.com



Rayovac Stock Number: 813, 813 OEM

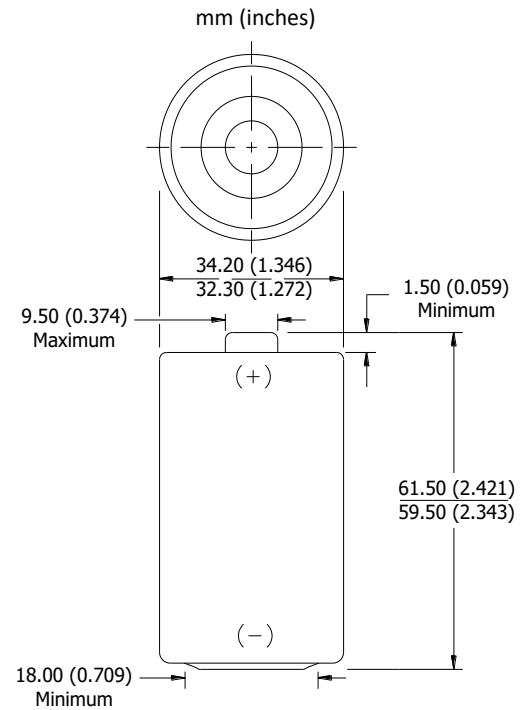
Name: 13A/AC D Alkaline Battery

Specifications

Chemistry: Alkaline (Zinc-Manganese Dioxide)
Designation: ANSI – 13A/AC, IEC – LR20
Nominal Voltage: 1.5V
Approximate Weight: 4.7 Oz (133.6 grams)
Approximate Volume: 3.0 CU IN (48.9 cc)
Operating Temp: -30°C to 55°C (-20°F to 130°F)
Shelf Life: 12 years at 21°C
Terminals: Flat Contact
Case Material: Plastic Film
Environmental: No mercury added formulation.
 Meets Environmental Protection Agency (EPA) Requirements for landfill disposal.

[Rayovac Material Safety Sheets](#)

IEC Standard Dimensions



Typical Service - ANSI Application Tests

Application and Duty Cycle	Discharge Load	Service
Stereo 2 hr/day	600 mA	16.3 hours
Portable Lighting 14 min/15 min, 8 hr/day	1.5 Ω	14.1 hours
Toy 1 hr/day	2.2 Ω	24.8 hours
Radio 4 hr/day	10 Ω	123.9 hours
Lighting 24 min/hr, 8 hr/day	2.2 Ω	23.1 hours

Discharge Curves (Continuous Load)

