



533 Maryville University Drive, St. Louis, MO 63141
www.rayovac.com



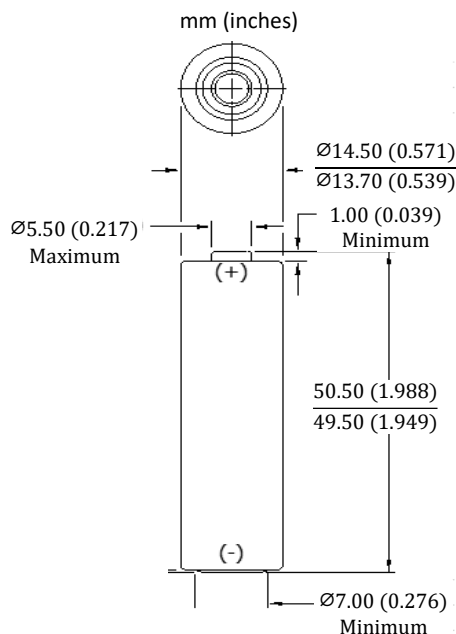
Rayovac Stock Number: 815, 815 OEM

Name: LR6 AA High Energy Alkaline Battery

	Specifications
Chemistry:	Alkaline (Zinc-Manganese Dioxide)
Designation:	ANSI - 15A, IEC - LR6
Nominal Voltage:	1.5V
Approximate Weight:	0.8 Oz (22.8 grams)
Approximate Volume:	0.45 CU IN (7.4 cc)
Operating Temp:	-30°C to 55°C (-20°F to 130°F)
Shelf Life:	10 years at 21°C
Terminals:	Flat Contact
Case Material:	Plastic Film
Environmental:	No mercury added formulation. Meets Environmental Protection Agency (EPA) Requirements for landfill disposal.

[Rayovac Material Safety Sheets](#)

IEC Standard Dimensions



Typical Service - ANSI Application Tests

Application and Duty Cycle	Discharge Load	Service
Digital Camera (2 sec Load 1, 28 sec Load 2) 5 min/hr	Load 1: 1500 mW Load 2: 650 mW	110 pulses
Grooming 2 min/hr	750 mA	1.27 hours
Lighting 4 min/hr, 8 hr/day	3.9 Ohm	7.87 hours
Toy Load 1 for 0.25 sec, Load 2 for 19.75 sec 10 min/hr, 1 hr/12 hr	Load 1: 1 Ohm Load 2: 3 Ohm	2.97 hours
CD/Games 1 hr/day	250 mA	8.91 hours
Wireless Gaming (Load 1 for 5 sec, Load 2 for 175 sec) 3 hr on, 9 hr off	Load 1: 450 mW Load 2: 45 mW	40.95 hours
Remote/Radio/Clock 1 hr on / 7 hr off	50 mA	52.71 hours

Discharge Curves (Continuous Load)

