



533 Maryville University Drive, St. Louis, MO 63141  
www.rayovac.com



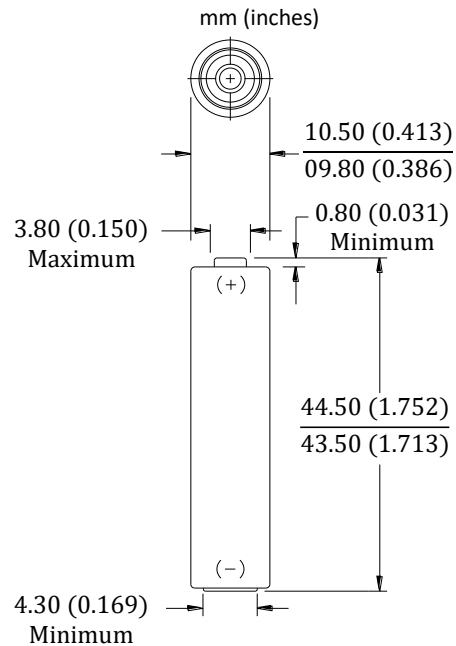
**Rayovac Stock Number: 824, 824 OEM, AAA Bulk**

**Name: 824 AAA High Energy Alkaline Battery**

**Specifications**

**Chemistry:** Alkaline (Zinc-Manganese Dioxide)  
**Designation:** ANSI - 24A, IEC - LR03  
**Nominal Voltage:** 1.5V  
**Approximate Weight:** 0.4 Oz (11 grams)  
**Approximate Volume:** 0.2 CU IN (3.5 cc)  
**Operating Temp:** -30°C to 55°C (-20°F to 130°F)  
**Shelf Life:** 10 years at 21°C  
**Terminals:** Flat Contact  
**Case Material:** Plastic Film  
**Environmental:** No mercury added formulation. Meets Environmental Protection Agency (EPA) Requirements for landfill disposal.  
[Rayovac Material Safety Sheets](#)

**IEC Standard Dimensions**



**Typical Service - ANSI Application Tests**

Application and Duty Cycle	Discharge Load	Service
<b>Home Medical</b> 5 min/hr, 12 hr/day	250 mA	2.26 hours
<b>Lighting</b> 4 min/hr, 8 hr/day	5.1 Ω	4.27 hours
<b>Toy</b> 1 hr/day	5.1 Ω	4.48 hours
<b>Digital Audio</b> 1 hr on, 11 hr off - 24 hr	75 mA	13.9 hours
<b>Remote</b> 15 s on 45 s off, 8 hr/day	24 Ω	20.4 hours

**Discharge Curves (Continuous Load)**

