



533 Maryville University Drive, St. Louis, MO 63141
www.rayovac.com



Rayovac Stock Number: 814, 814 OEMF

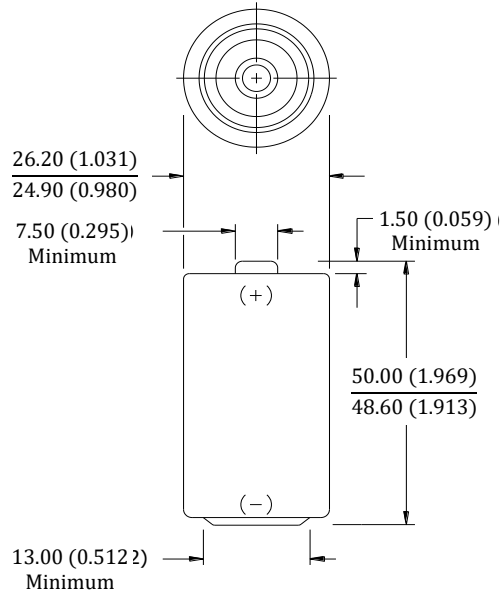
Name: 14/AC C Alkaline Battery

Specifications

- Chemistry:** Alkaline (Zinc-Manganese Dioxide)
- Designation:** ANSI - 14A, IEC - LR14
- Nominal Voltage:** 1.5V
- Approximate Weight:** 2.28 Oz (64.6 grams)
- Approximate Volume:** 1.44 CU IN (23.6 cc)
- Operating Temp:** -30°C to 55°C (-20°F to 130°F)
- Shelf Life:** 10 years at 21°C
- Terminals:** Flat Contact
- Case Material:** Plastic Film
- Environmental:** No mercury added formulation. Meets Environmental Protection Agency (EPA) Requirements for landfill disposal.

[Rayovac Material Safety Sheets](#)

IEC Standard Dimensions



Typical Service - ANSI Application Tests

Application and Duty Cycle	Discharge Load	Service
Portable Stereo 2 hr/day	400 mA	13 hr
Portable Lighting 4 min/15 min, 8 hr/day	3.9 Ω	20.6 hr
Toy 1 hr/day	3.9 Ω	20.1 hr

Discharge Curves (Continuous Load)

